

Three-axis/Five-axis AC Servo Traversing Robot-Single Stage



BRR Series is applicable to all types of horizontal injection machine ranges of 30~320T for take-out products and sprues. Vertical arm is single stage. With types of three-axis and five-axis driven by AC servo motor. Products take-out at super high-speed (0.8sec) and dry cycle time within 5 seconds, applicable to take-out products with the function of mold labeling and mold inserting.



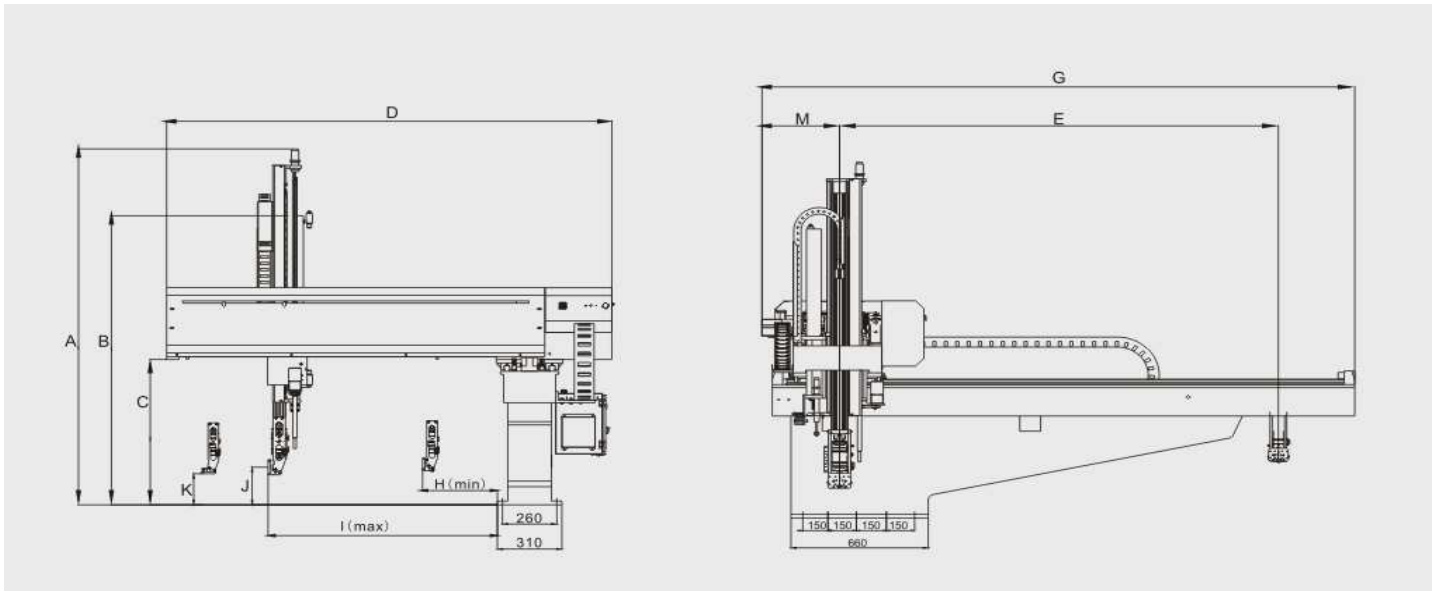
CONTROLLER S3, S5

- > 8 inch color touch screen
- > Micro-computer control system, strong ability of anti-interference, stable production and fast counting
- > Each axis with the function of acceleration and deceleration
- > Moulding memorizing function, it can be set fast while exchanging the mould, convenient for production and increase efficiency

Specifications

Model	Power Source (KVA)	Recommended I.M.M (ton)	Traverse Stroke (mm)	Traverse Driven	Crosswise Stroke (mm)	Vertical Stroke (mm)	Max. Loadinf (kg)	Dry Take Out Time (sec)	Dry Cycle Time (sec)	Air Consumption (NI/cycle)	Net Weight (kg)
BRR600ID-S5/S3	3,2/1,7	30R-100T	1200	AC Servo motor	500	600	4	0,8	5	4	120
BRR800ID-S5/S3		50T-320T	1500		620	800 (900)	5		5,5	5	200

Outer Dimensions



Model	A	B	C	D	E	F	G	H	I	J	K	M
BRC1400WSA-S2	1850	1500	775	2160	2200	/	3200	250	1400	200	160	370
BRC1800WSA-S2	2050	1700		2280	2550	/	3700	250	1520	200	160	450
BRC2200WSA-S2	2230	1900		2460	3000		4000	250	1700	200	160	500